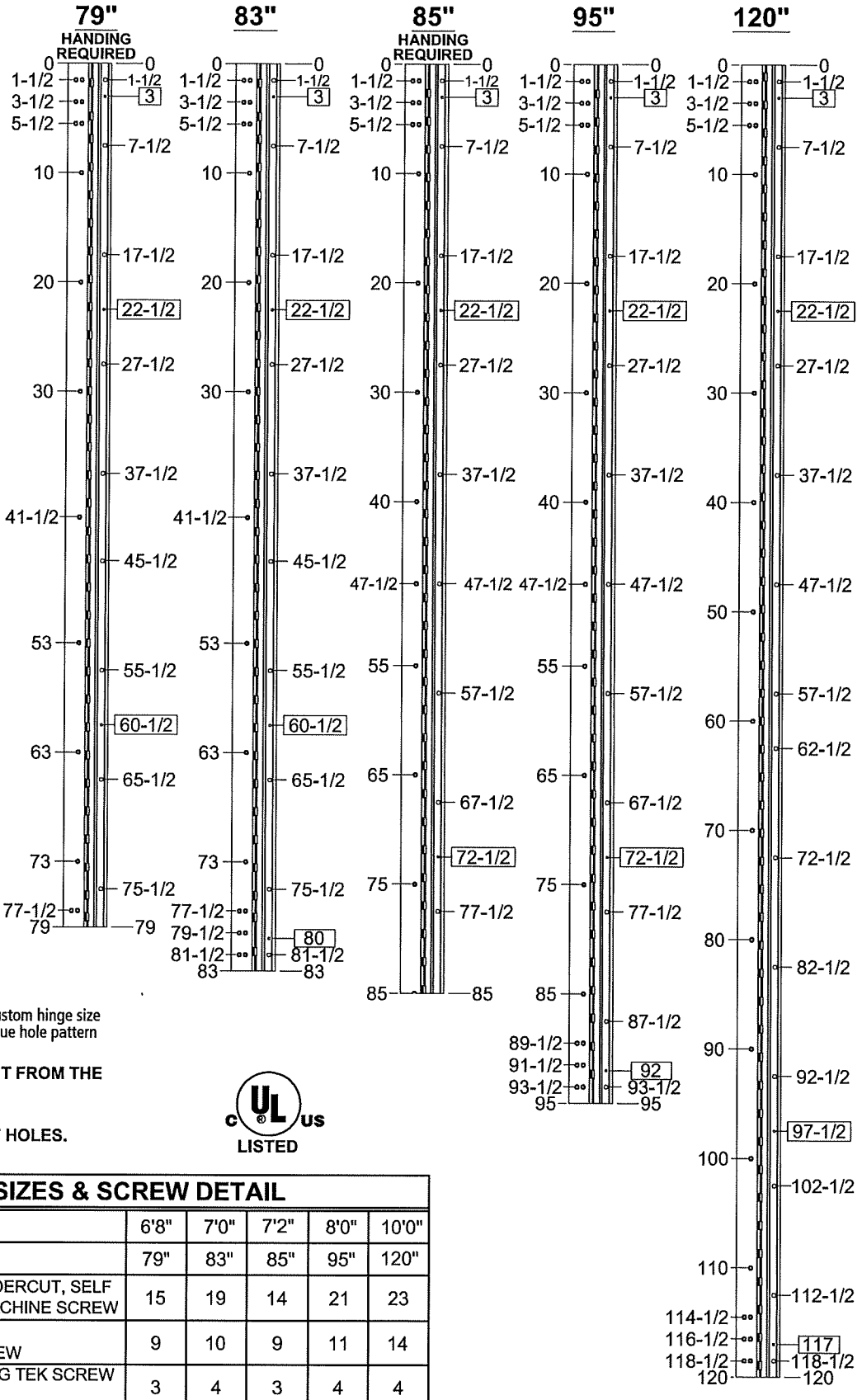
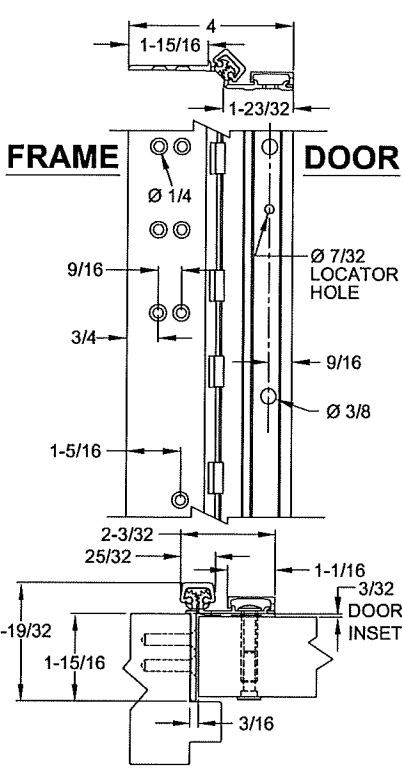


663 - ALUMINUM GEARED HINGE, 3/32" INSET, FULL CONCEALED



⚠ Please note, custom hinge size may have unique hole pattern

- NOTES:**
1. HINGES CUT TO CUSTOM LENGTH ARE CUT FROM THE BOTTOM. PLEASE SPECIFY HANDING.
 2. ALL DIMENSIONS ARE IN INCHES.
 3. ALL DIMENSIONS ARE TO CENTERLINE OF HOLES.
 4. XX DENOTES LOCATOR HOLE.



STANDARD HINGE SIZES & SCREW DETAIL

NOMINAL DOOR HEIGHT		6'8"	7'0"	7'2"	8'0"	10'0"
ACTUAL HINGE LENGTH		79"	83"	85"	95"	120"
FRAME	12-24 x 7/8" PHILLIPS FLAT HEAD, UNDERCUT, SELF DRILLING, THREAD FORMING TEK MACHINE SCREW	15	19	14	21	23
DOOR	1/4-20 x 1-9/16" x 3/8 DIA. SEX BOLT & 1/4-20 x 1" PH. HEAD SHOULDER SCREW	9	10	9	11	14
	12-24 x 7/8" PH. PN. HD. SELF DRILLING TEK SCREW (LOCATOR HOLE)	3	4	3	4	4

STANLEY.

BEST Access Solutions, Inc.
6161 East 75th Street
Indianapolis, IN 46250 USA
Phone 855-365-2407

stanleyhardwarefordoors.com

ALUMINUM GEARED HINGE