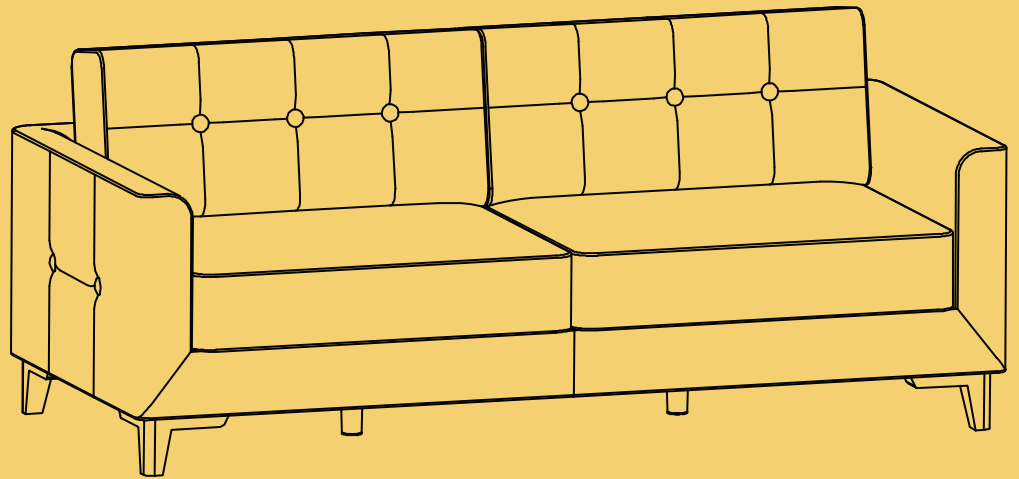


v1.0

BROSA

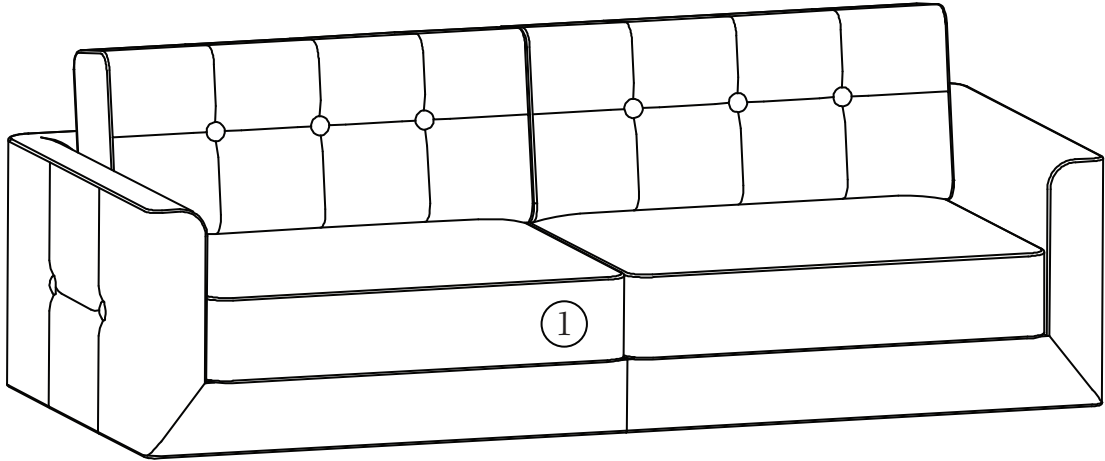


ASSEMBLY GUIDE

Gordon 3 Seater Sofa

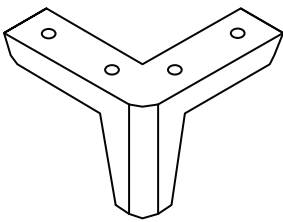
Components

Upon unpacking your sofa from its delivery box, you should have the separate pieces shown below. Follow the steps on the next pages to assemble your new sofa.



Sofa body x 1

Hardware



A x 4



B x 16



C x 16

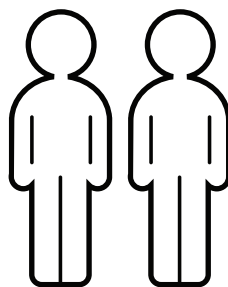


D x 1



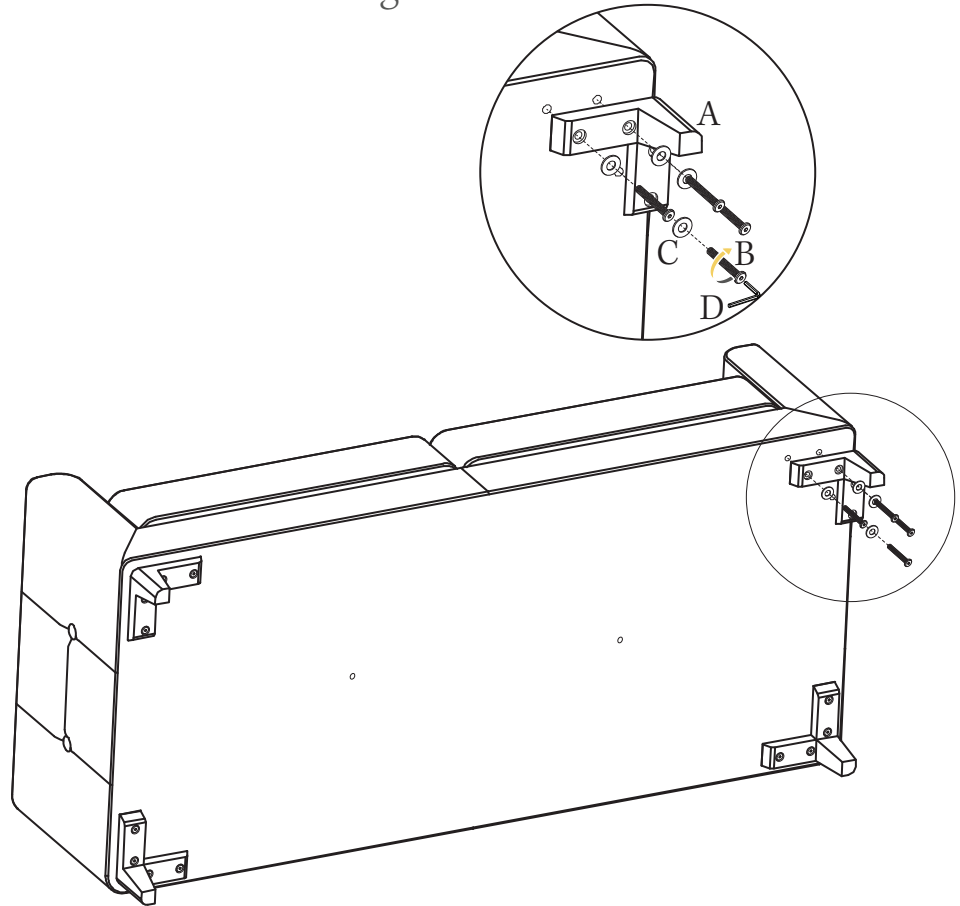
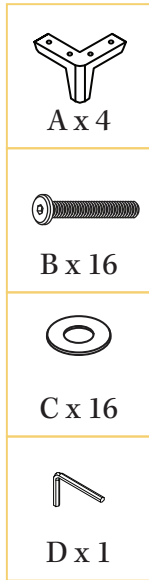
E x 2

What you need



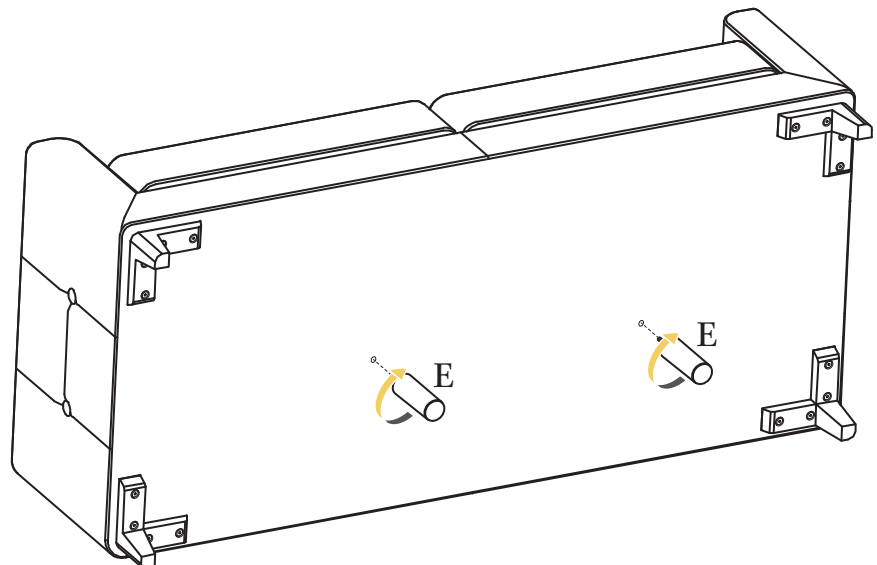
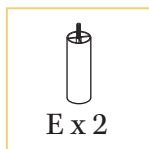
Step 1

Align a leg (A) to the underside of the sofa so that the screw holes are overlapping. Fit a washer (C) to a bolt (B) and screw into a hole using the allen key (D). Repeat for the other three bolts and then repeat for the other three legs.



Step 2

Align a support leg (E) with a hole on the bottom and screw it in. Repeat for the other support leg.



Step 3

Lift the sofa upright and enjoy your new sofa!

